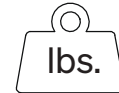


EN 13374-A

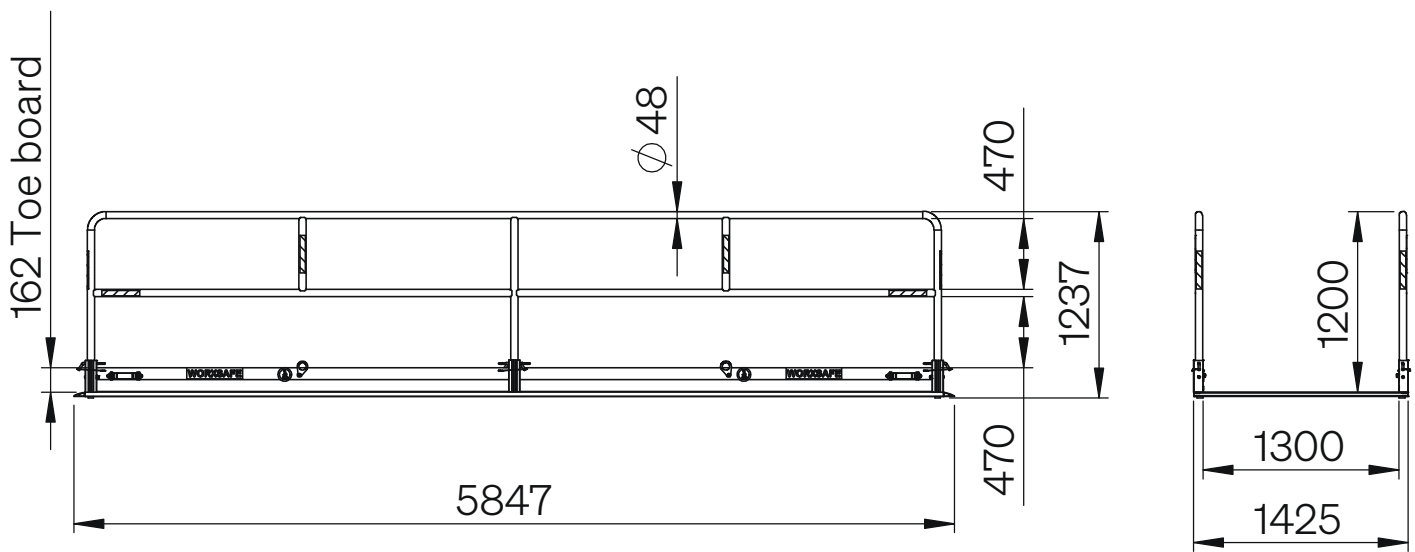


Aluminum

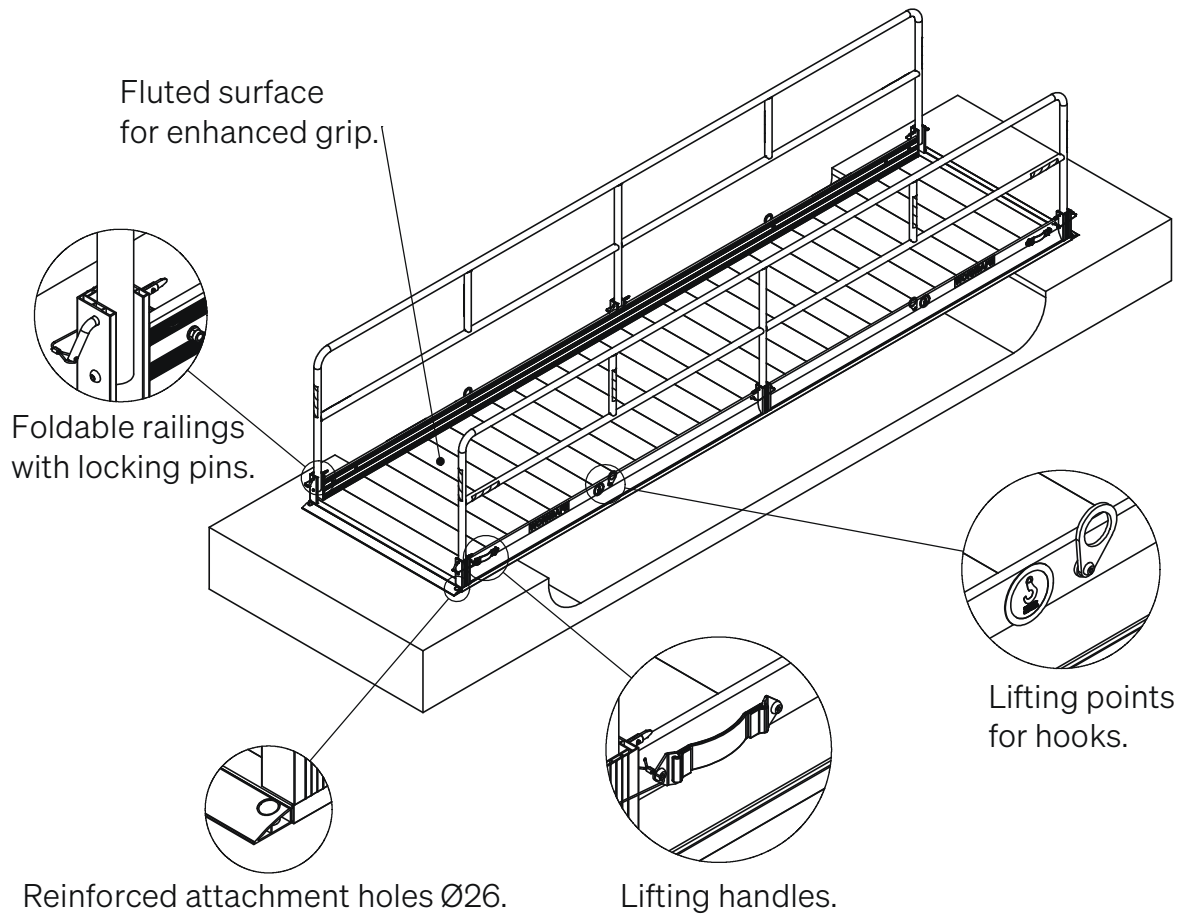
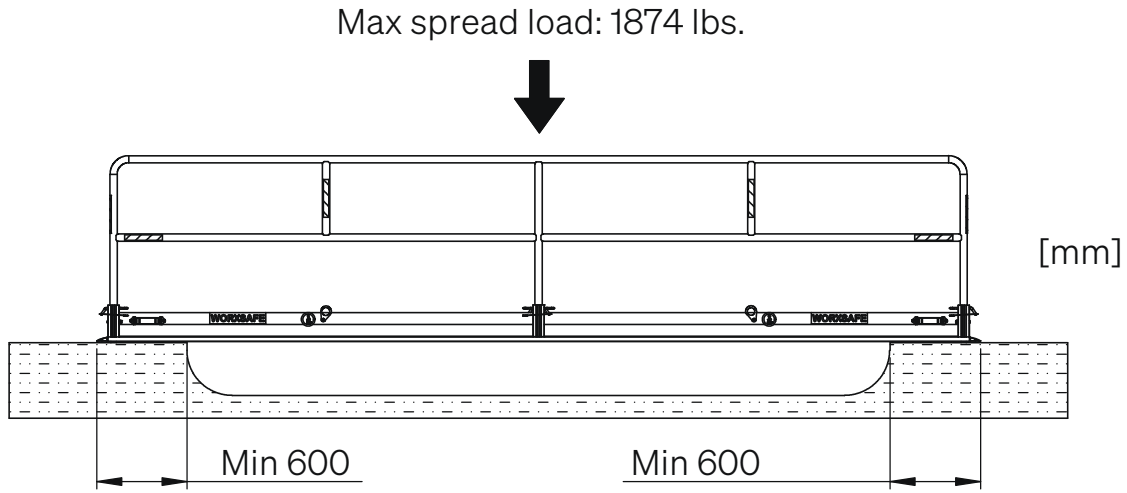


467

[mm]

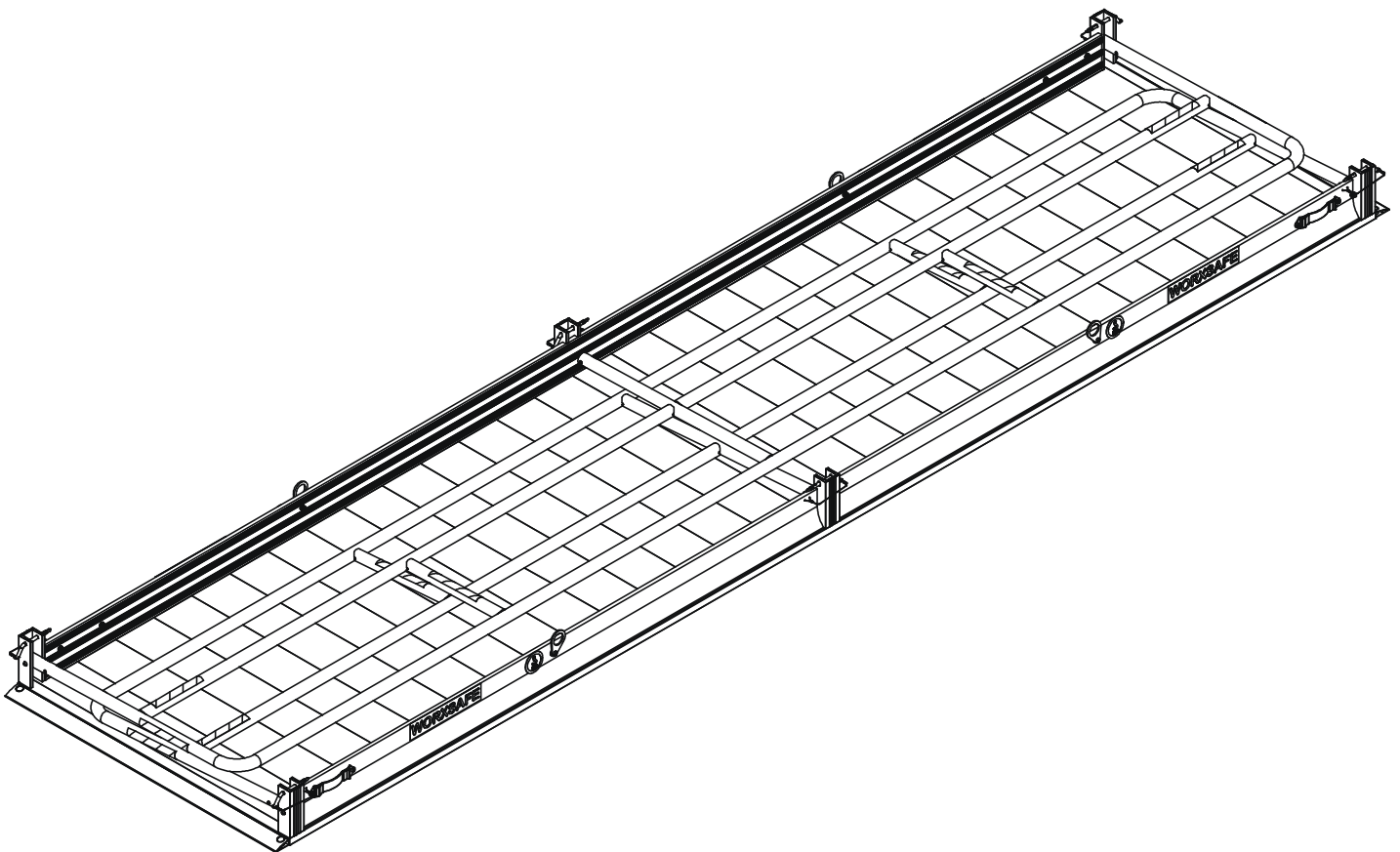
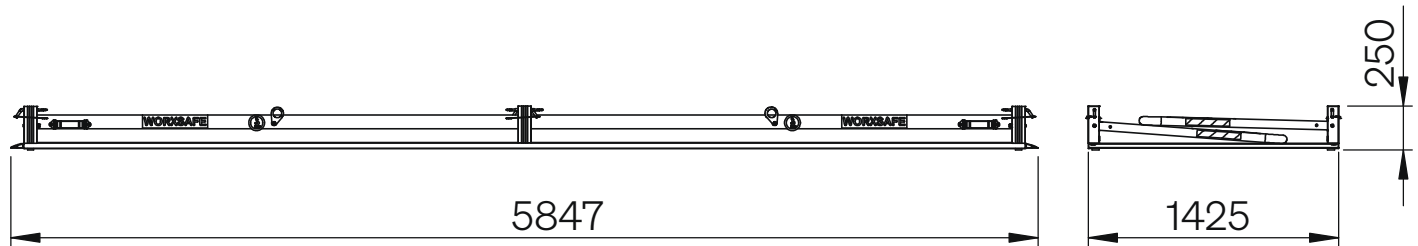


Installation



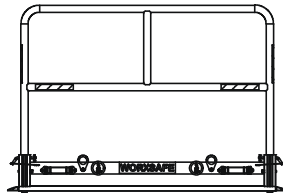
Transport/Packing

[mm]

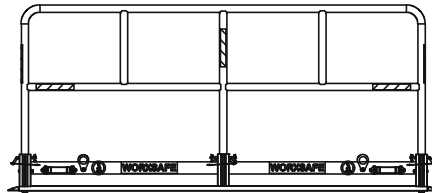


Product Family

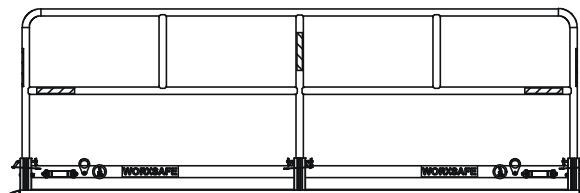
Pedestrian Bridge - 2 m



Pedestrian Bridge - 3 m



Pedestrian Bridge - 4 m



Pedestrian Bridge - 6 m

