

1. LOCATE FOUR 1X2 INSTALLATION POCKETS ON YOUR TRUCK
2. MEASURE DIMENSIONS A, C, D, E, H. MESURE EDGE TO EDGE (SEE DETAILS A AND B IN FIG 1)
3. FILL IN THESE DIMENSIONS BELOW
4. POCKET SIZE SHOULD BE 1 X 2 INCHES. PLEASE SPECIFY IF POCKET SIZE IS DIFFERENT
5. IF YOUR RACK REQUIRES STROBES PLEASE SPECIFY
6. IF YOUR REQUIRE A BEACON PLEASE SPECIFY PASSENGER OR DRIVER SIDE
7. IF YOU REQUIRE A PROTECTIVE SHIELD FOR YOUR REAR WINDOW PLEASE SPECIFY MESH

CUSTOMER	TRUCK MODEL TYPE		
DIMENSION	STROBES	YES <input type="checkbox"/>	
A	BEACON	YES	SIDE
C	MESH	YES	
D			
E			
H			
POCKET SIZE			

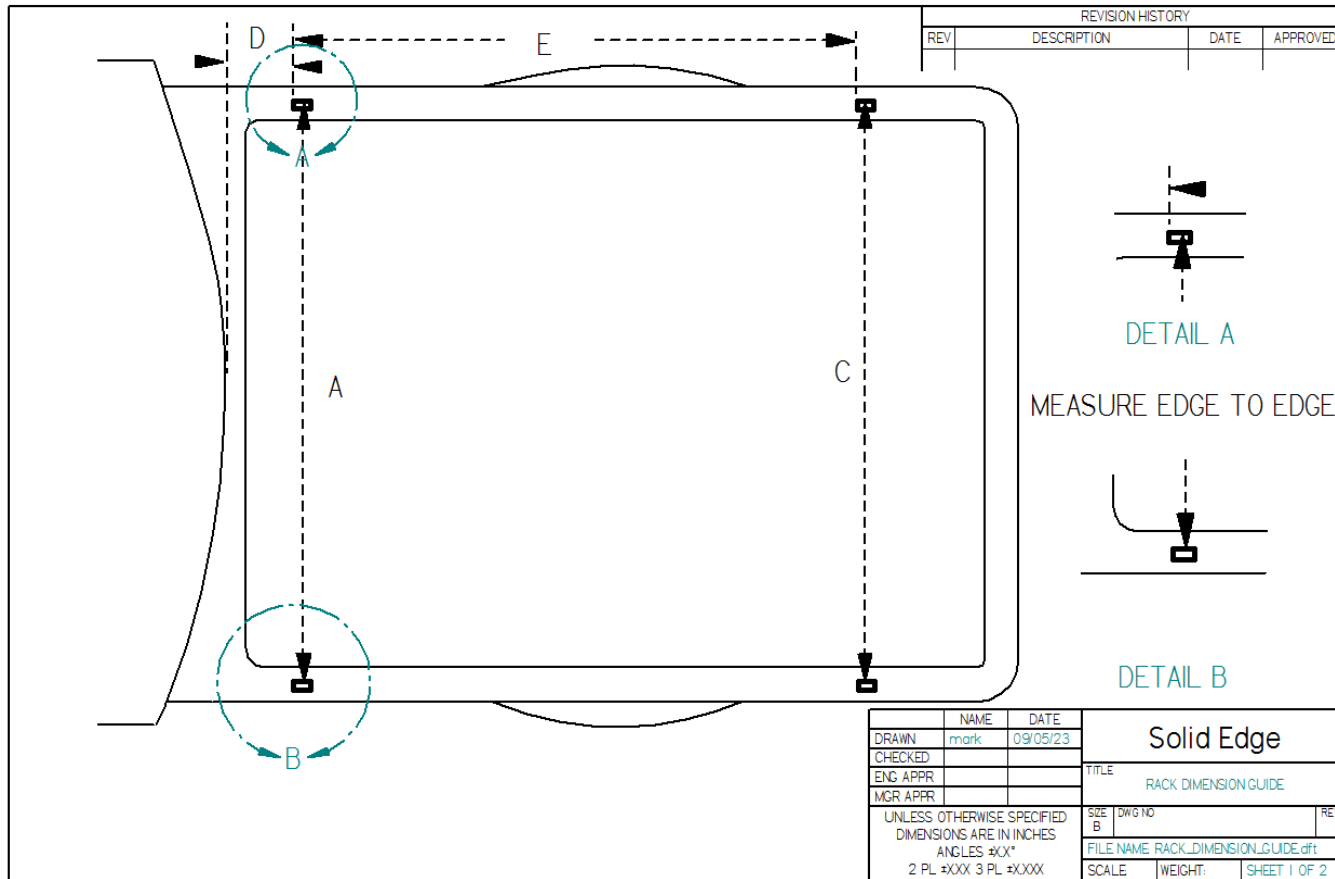


FIG 1

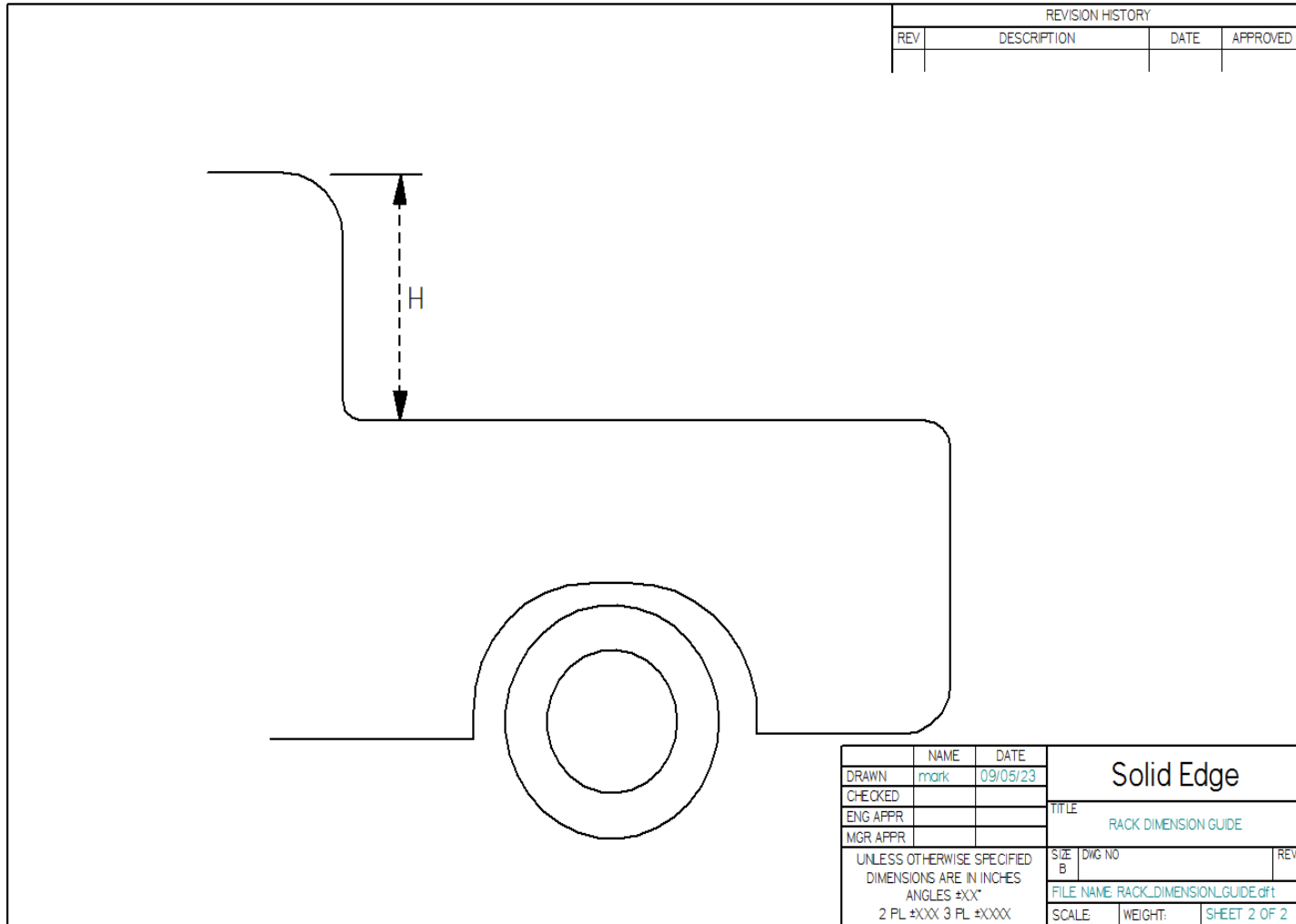


FIG 2